



Gate bushing type LC/LCV

Version LC with extended length and
version LCV with extended length and wear protection

TECHNICAL DATA

Dimensions

| | Version (mm) | | | | | | |
|-----------------|--------------|----|-----------------|----|----|-------------------|----|
| | ØA | ØS | ØT ₁ | s | u | ØA ₁ | R |
| 15LC | 35 | 15 | 22 | 5 | 5 | 36 | 5 |
| 20LC | 35 | 20 | 28 | 5 | 15 | 36 | 5 |
| 22LC/LCV | 38 | 22 | 32 | 5 | 15 | 39 | 8 |
| 26LC/LCV | 45 | 26 | 36 | 5 | 15 | 46 ^{1,2} | 8 |
| 32LC/LCV | 50 | 32 | 42 | 9 | 15 | 56 | 13 |
| 38LC/LCV | 59 | 38 | 48 | 12 | 20 | 60 | 16 |

¹ØA₁ = 49 mm with nozzle type 8DET

²ØA₁ = 56 mm with nozzle type 8DHT

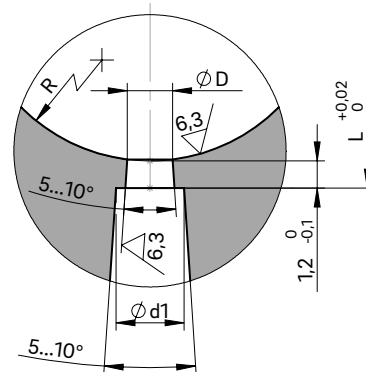
NOTE

When using a gate bushing of size ØS = 26 mm, ØS = 32 mm or ØS = 38 mm in conjunction with nozzle types _ET and _HT, we recommend consulting with the engineers.

After eroding the gate bushing, it must be annealed to remove stress (1 hour at 470 °C).



ANTECHAMBER VERSIONS C AND D



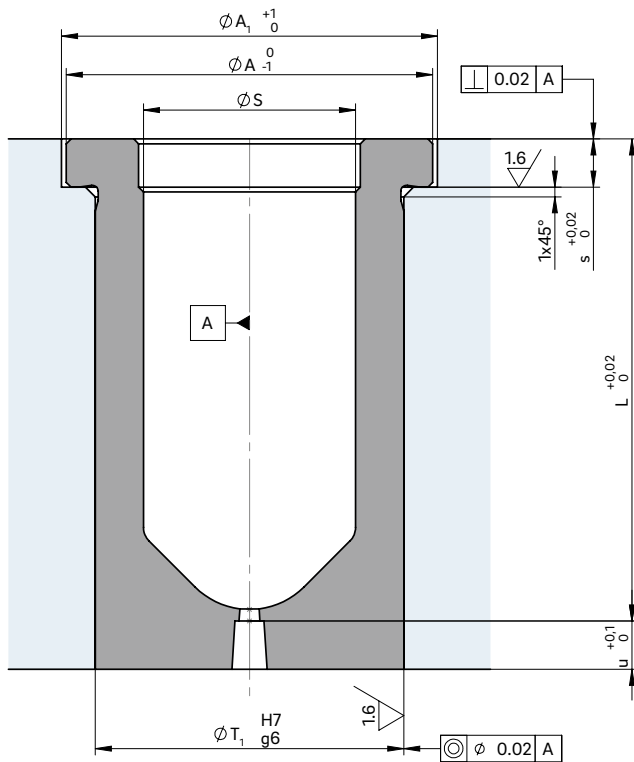
Ød1 0.5 mm larger than ØD

For open nozzles with a straight outlet for antechamber version C and D and nozzle piece A

WEBCODE
23030



GATE BUSHING INSTALLATION



For gate bushings with an extended length, the gate contour goes through dimension "L"

| Nozzle type designation | Gate bushing type/length (mm) | | | | | | | | | | | | | | | |
|-------------------------|-------------------------------|------|------|-------|------|------|-------|-------|-------|------|---|-------|---|------|---|-------|
| | L=50 | | L=60 | | L=80 | | L=100 | | L=120 | | | | | | | |
| 4DHF | ■ | 15LC | ■ | 15LC | ■ | 15LC | | | | | | | | | | |
| 4DTT | ■ | 15LC | ■ | 15LC | ■ | 15LC | | | | | | | | | | |
| 4DMT | ■ | 20LC | ■ | 20LC | ■ | 20LC | ■ | 20LC | | | | | | | | |
| 5DHT | ■ | 22LC | □ | 22LCV | ■ | 22LC | □ | 22LCV | ■ | 22LC | □ | 22LCV | | | | |
| 5DMT | ■ | 22LC | □ | 22LCV | ■ | 22LC | □ | 22LCV | ■ | 22LC | □ | 22LCV | ■ | 22LC | □ | 22LCV |
| 6DHF | ■ | 22LC | □ | 22LCV | ■ | 22LC | □ | 22LCV | ■ | 22LC | □ | 22LCV | ■ | 22LC | □ | 22LCV |
| 6DTT | ■ | 22LC | □ | 22LCV | ■ | 22LC | □ | 22LCV | ■ | 22LC | □ | 22LCV | ■ | 22LC | □ | 22LCV |
| 6DHT | ■ | 26LC | □ | 26LCV | ■ | 26LC | □ | 26LCV | ■ | 26LC | □ | 26LCV | ■ | 26LC | □ | 26LCV |
| 6DMT | ■ | 26LC | □ | 26LCV | ■ | 26LC | □ | 26LCV | ■ | 26LC | □ | 26LCV | ■ | 26LC | □ | 26LCV |
| 8DET | ■ | 26LC | □ | 26LCV | ■ | 26LC | □ | 26LCV | ■ | 26LC | □ | 26LCV | ■ | 26LC | □ | 26LCV |
| 8DHF | ■ | 26LC | □ | 26LCV | ■ | 26LC | □ | 26LCV | ■ | 26LC | □ | 26LCV | ■ | 26LC | □ | 26LCV |
| 8DHT | ■ | 26LC | □ | 26LCV | ■ | 26LC | □ | 26LCV | ■ | 26LC | □ | 26LCV | ■ | 26LC | □ | 26LCV |
| 10DHT | | | | | ■ | 32LC | □ | 32LCV | ■ | 32LC | □ | 32LCV | ■ | 32LC | □ | 32LCV |
| 12DET | | | | | ■ | 38LC | □ | 38LCV | ■ | 38LC | □ | 38LCV | ■ | 38LC | □ | 38LCV |
| 12DHT | | | | | ■ | 38LC | □ | 38LCV | ■ | 38LC | □ | 38LCV | ■ | 38LC | □ | 38LCV |

■ available □ on request